

Spare parts – Version 4  
Serial number: 1306xxx –

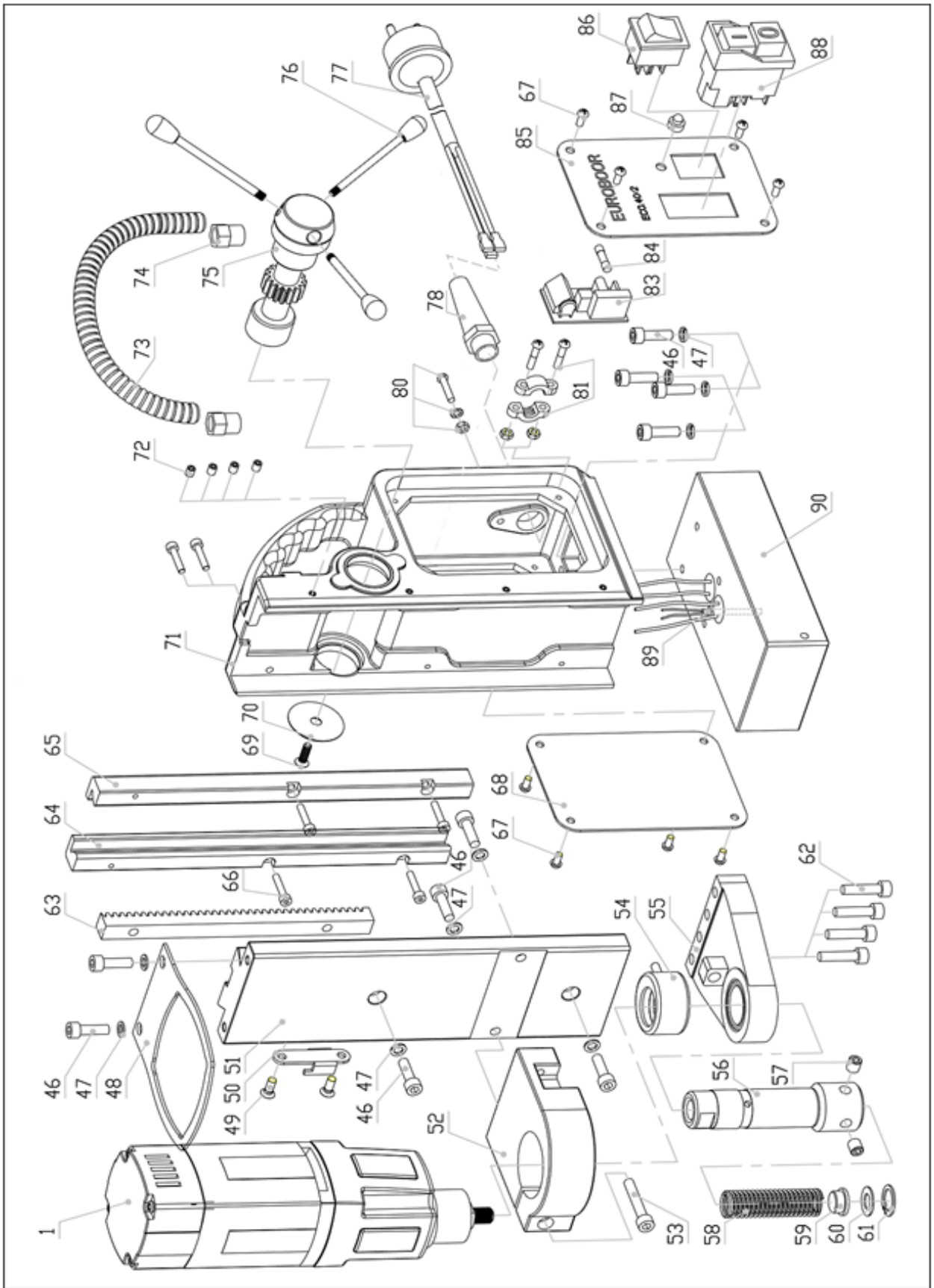
 **EUROBOOR**  
FOR PROFESSIONALS BY PROFESSIONALS

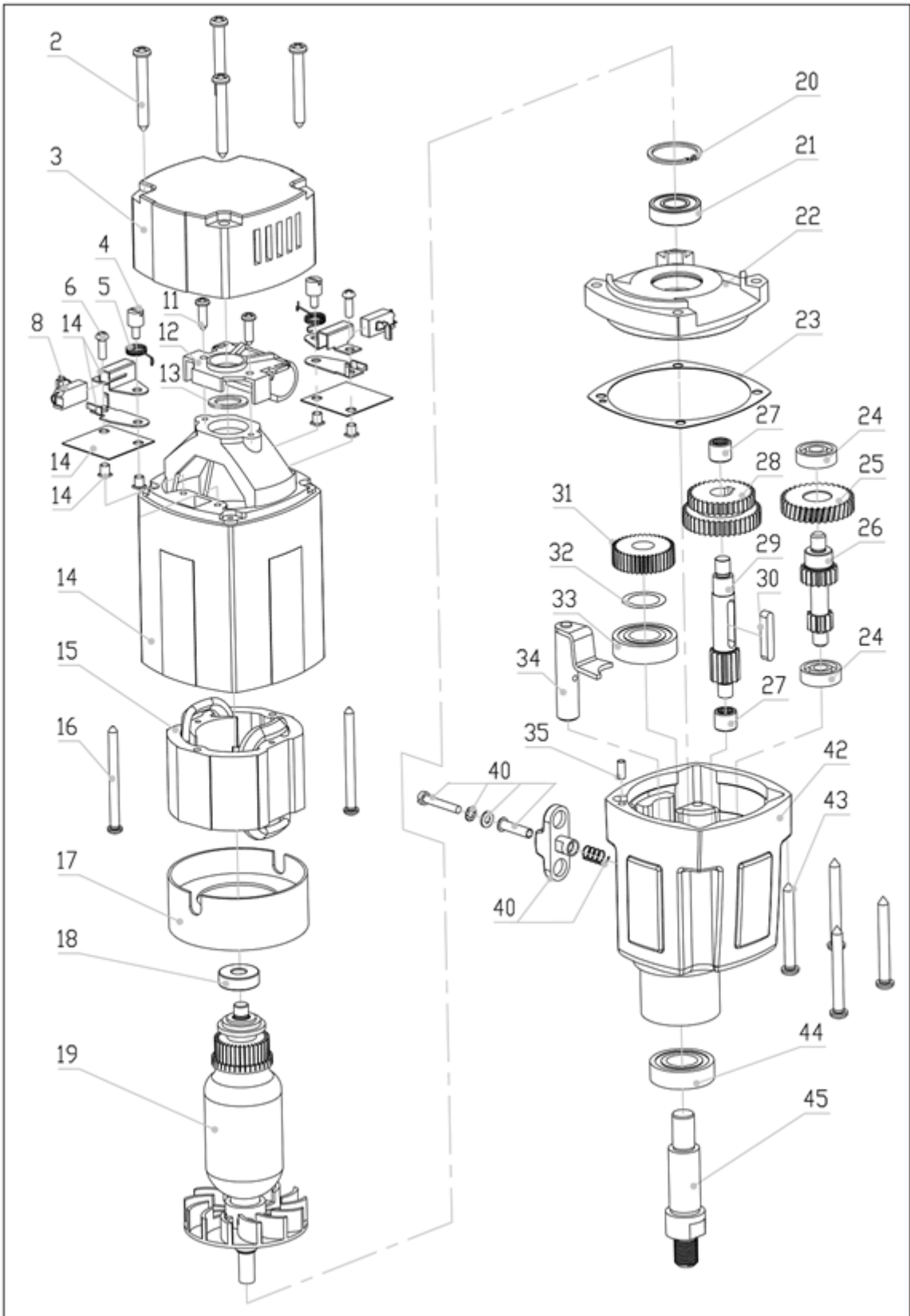
# Magnetic drilling machine

## ECO.40/2 – V4

Is your serial number missing? Please contact Euroboor and ask them for more information.

Last update: August 25th, 2020





<b>Nr.</b>	<b>Articlenr.</b>	<b>Description</b>
1	040.0101	Motorunit 220-140v
	040.0102	Motorunit 110-120v
2	032.0106	Screw BK4,8x55
3	032.0111	End Cover
4	032.0136	Screw for spring
5	032.0141	Spring
6	032.0142	Screw M4x15
8	032.0146	Carbon Brush set 220v
	032.0147	Carbon Brush set 110v
11	032.0116	Screw 4,2x13
12	032.0131	Adaptor ring cap
13	032.0121	Adaptor ring
14	032.0241	Housing
15	040.0276	Field 220-240v
	040.0277	Field 110-120v
16	032.0156	Screw 4x55
17	032.0161	Baffle
18	032.0126	Bearing 608
19	040.0266	Armature 220-240v
	040.0267	Armature 110-120v
20	032.0166	Circlip 472/28
21	032.0171	Bearing 6001
22	040.0146	Inner Gear Plate
23	032.0237	Gasket Small
24	032.0221	Bearing 608
25	040.0251	First Gear
26	040.0246	Gear Shaft
27	040.0161	Needle Bearing HK0810
28	040.0171	Gear 34/28
29	050.0231	Axle
30	100.4496	Key 5x5x28
31	040.0176	Spindle Gear
32	040.0181	Adaptor ring
33	032.0171	Bearing 6001
34	040.0291	Clutch Shaft
35	032.0211	Casing Pin
40	040.0286	Gear Switch
42	040.0241	Gear Casing
43	032.0106	Screw 5x50
44	040.0196	Bearing 6202
45	040.0191	Spindle Drive Shaft
46	020.0156	Screw SSM6x20
47	020.0111	Washer
48	040.0041	Top Fixing Plate 110mm

49	KSP.MS	Screw for Tank Holder
50	KSP.M/2	Tank Holder
51	040.0011/X	Slide
52	032.0026	Motorholder
53	032.0027	Screw SSM6x35
54	020.0145/2	Coolant Ring
55	020.0142/2	Steady
56	020.0116	Spindle complete
57	020.0136	Fixing Screw spindle
58	*	Spring
59	*	Button
60	*	Washer
61	*	Circlip
*	020.0121	Springset for spindle
62	020.0146	Screw SSM6x25
63	032.0016	Rack
64+65	020.0086/X	Rail Set Alu (L+R)
66	020.0086/S	Screw SSM4x20
67	020.0101	Panel Screw
68	PP.RSEU-220	Rear Panel Plate 220
	PP.RSEU-110	Rear Panel Plate 110
69	020.0081	End Screw
70	020.0077	End Plate
71	020.0056/X	Frame
72	020.0056/S	Setting Screw M5x6
73	020.0046	Motorcable complete
74	020.0041/H	Coupling Nut PG9
75	020.0061/X	Capstan Hub Assembly
76	020.0066	Arm for capstan
	020.0036	Main cable complete 220-240V
	020.0036/AU	Main cable Australia
	020.0036/UK	Main cable UK 220v
	020.0036/UK 110-16A	Main cable UK 110v 16A
77	020.0036/USA	Main cable USA
78	020.0031	Coupling Nut PG11
80	020.0182	Gronding set
81	020.0037	Cable Clamp
83	020.0001/2	Control Unit YSW
	020.0002/2	Control Unit YSW 110v
84	020.0017	Fuse F2A
85	PP.40EU/4	Front Panel Plate
86	020.0011	Magnet Switch
87	020.0206	LED Indicator set
88	030E.0091/Y	Motorswitch 220v
	030E.0092/Y	Motorswitch 110v
89	020.0201	Sensor

90	020.0052	Electromagnet (with sensor)
----	----------	-----------------------------